

**QUALITY CONVEYOR
TOASTERS AND OVENS BY:**



FOODSERVICE EQUIPMENT SPECIALISTS

- ✓ **Simple To Use**
- ✓ **Durable**
- ✓ **Versatile**
- ✓ **Energy Efficient**
- ✓ **Safety**
- ✓ **Productive**
- ✓ **Customer Focused**



MODEL JT-2000

High Production

Bread And Bun Toaster

Made in the USA

Perfect toaster for applications requiring high production in a short period of time.

- Up to 2000 slices per hour
- 23 second pass time for toast
- Toast buns in 13 seconds
- Toast bagels in 16 seconds
- Go from double to single sided toasting with the flip of a switch
- Fast reacting Quartz Infrared elements
- Extended Load Area

Why BELLECO?

- Basic, Simple Operation
- Durable, Rugged Construction
- Forced Convection
- Inexpensive to Operate
- 75% Power Saving Feature
- 24 Hrs/Day, 7 Days/Week Service

FOR SALES ASSISTANCE IN THE U.S.A. AND CANADA, CALL TOLL FREE 1-877-854-8006 OR FAX 207-283-8080
E-Mail: sales@bellecocooking.com • OR VISIT OUR WEB SITE: <http://www.bellecocooking.com>

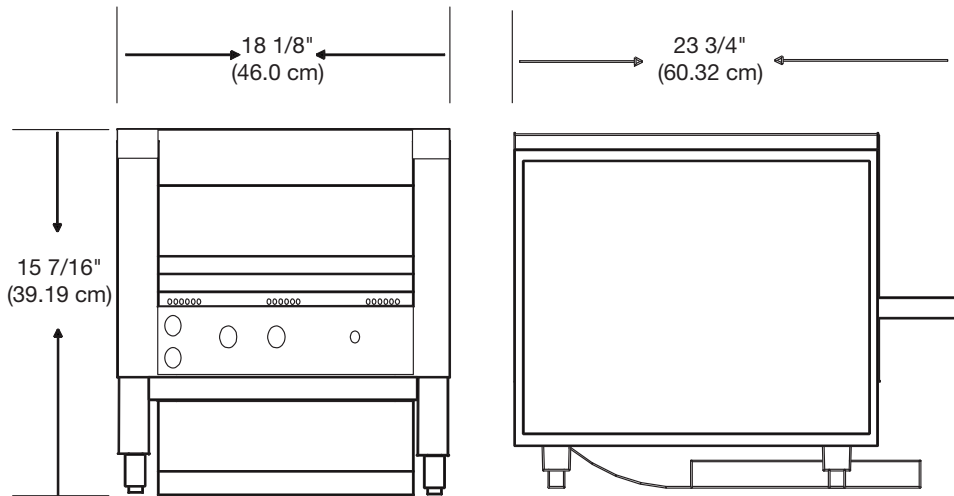
Refer to Installation on Reverse

**QUALITY CONVEYOR
TOASTERS AND OVENS BY:**



FOODSERVICE EQUIPMENT SPECIALISTS

Model JT-2000 Toaster



CONSTRUCTION:

Spot-welded stainless steel construction. Unit is easily disassembled for cleaning.

HEATERS: Quartz Infrared elements above and below conveyor.

CONTROL PANEL: Located at front of unit. Contains the Power Saver Switch, Speed Control, Heat Controls and Bun Mode Switch.

OPERATION: Place Power Switch in the ON position. Unit is now in full power mode. Adjust temperature controls and conveyor speed to desired heat and pass time.

ELECTRICAL DATA:

Model	Volts	Hz/ Phase	kW	Amps	Power Supply
JT-2000	208	60/1	4.8	23.0	6-30P
JT-2000	220	60/1	4.8	21.8	6-30P
JT-2000	240	60/1	4.8	20.0	6-30P



CLASSIFIED TO NSF-4



INSTALLATION:

Counter model; furnished with 2 1/2" adjustable legs and 4 foot cord. Units should be located so that the air around the fan motor intake does not contain grease or steam and does not exceed 100° F.

FORCED CONVECTION:

Fractional h.p. motor with fan provides cool air around the controls to protect them from heat. The air is forced between the inside and outside chassis sides to cool exterior panels. Heated air is forced across the Quartz heaters and conveyor surface resulting in increased efficiency.

SHIPPING DATA:

MODEL	NET WT.	DIMENSIONS
JT-2000	59lbs.	37"L x 23"D x 17"H

WARRANTY:

Two (2) year parts and one (1) year labor/elements in the United States and Canada. Warranty is limited to the original purchaser effective from the date of installation (or 18 months from date of shipment from Belleco).

It is our policy to build equipment that is ETL Listed in the USA and Canada and ETL Sanitation Classified to NSF 4. However, our continued process of product improvements makes it necessary to submit new models to the agencies as they are developed and consequently not all models bear the appropriate agency labels at all times.

JT2000 toasters are furnished with a 30 amp NEMA 6-30P plug for plug in installation in a 30 amp 6-30R receptacle.



FOODSERVICE EQUIPMENT SPECIALISTS

P.O. Box 880 Saco, ME / USA 04072

FOR TECHNICAL ASSISTANCE IN THE U.S.A. AND CANADA, CALL TOLL FREE: 1-877-854-8006, 24 HRS/DAY
E-Mail: sales@bellecocooking.com

OR VISIT OUR WEB SITE: <http://www.bellecocooking.com>
877-854-8006 • FAX (207) 283-8080