



Foodservice Equipment Specialists
P.O. Box 880 Saco, ME. / U.S.A. 04072
877-854-8006 * FAX (207) 283-8080

**OPERATIONS AND MAINTENANCE PROCEDURES
CONVEYOR TOASTER MODEL
JT2-B**

**FOR SERVICE ASSISTANCE
U.S. AND CANADA CALL: 1-877-854-8006
24 HOURS/DAY 7 DAYS/WEEK**

TABLE OF CONTENTS

UNCRATNG AND INSPECTION	PAGE 1
ASSEMBLY AND INSTALLATION	PAGE 1
ELECTRICAL INSTALLATION	PAGE 1
POWER SAVER FEATURE	PAGE 2
TOASTING PROCEDURE	PAGE 2
CLEANING (DAILY & WEEKLY)	PAGE 3
HIGH TEMPERATURE LIMIT	PAGE 3
GENERAL MAINTENANCE	PAGE 4
TROUBLESHOOTING GUIDE	PAGE 5
HEATER TUBE GUIDE	PAGE 5
SPARE PARTS LISTINGS	PAGE 6
WIRE DIAGRAMS	PAGE 7, 8, 9
WARRANTY	PAGE 10

OPERATIONS AND MAINTENANCE PROCEDURES
CONVEYOR TOASTER MODELS
JT2-B

UNCRATING AND INSPECTION

Unpack the unit and components from the shipping container. Remove all visible packing materials. If damage is discovered, file a claim immediately with the carrier that handled the shipment.

ASSEMBLY AND INSTALLATION

The toasters are shipped fully assembled and ready to plug into a matching outlet specified for its specific voltage and amperage rating. Removal or replacement of the power cord and plug will VOID the warranty. For assistance, contact the Belleco, Inc. Service Group at 1-877-854-8006. Please refer to the appropriate schematic at the rear of this manual for plug configurations. Consult with a licensed electrician prior to installation. "Do not operate the toaster without the crumb tray properly installed as this may cause overheating and loss of productivity.



CAUTION – During installation: Do not place on surfaces or near walls, partitions or kitchen furniture and the like – unless they are made of non-combustible material or clad with non-combustible heat-insulating material, and pay attention to fire prevention regulations.



CAUTION – To reduce the risk of fire, the appliance is to be installed in non-combustible surroundings only, with no combustible material within 18 inches of the sides, front, or rear of the appliance or within 40 inches above the appliance. "Bread may burn. Therefore toasters must not be used near or below curtains and other combustible materials. They must be watched."



"Le pain peut bruler, aussi les grille-pain ne doivent-ils pas etre utilises a proximite ou sous des rideaux ou autres materiaux combustibles. Ils doivent etre suveilles."

ELECTRICAL INSTALLATION



WARNING – Disconnect the toaster from its power source before installing or removing any parts.



WARNING – Check with your local power company or licensed electrician before installation to determine the actual voltage at the outlet. For a toaster rated 208 volts, never plug it into 240 volts as serious overheating and damage could occur. For a toaster rated 240 volts, never plug it into 208 volts as the lower voltage will greatly reduce the productivity of the unit.



WARNING – NEVER operate any piece of equipment without proper GROUND connection. Improper grounding may result in serious personal injury or could be fatal!

OPERATIONS AND MAINTENANCE PROCEDURES
CONVEYOR TOASTER MODELS
JT2-B

POWER SAVER FEATURE

All toasters come equipped with a power switch. The power switch controls certain heating elements and the power to the conveyer belt. In the full power position, the unit is at maximum capacity. By turning the switch to the standby position the front top and two bottom heating elements will turn off. With the rear top tube still operating, the operator is able to toast bagels at a reduced conveyer speed. This also results in 60% savings in power consumption.

TOASTING PROCEDURE

A. BAGEL TOASTING

- Turn the power switch to the on position.
- Set the Conveyer Speed Control knob to 50.
- Allow 30 minutes to heat from cold.
- Place a sample of the desired product on the Conveyer Belt to test the settings.
 - If toasting is too light, turn the Speed Control counterclockwise to a slower speed.
 - If toasting is too dark, turn the Speed Control clockwise to a faster speed.

English Muffins may be tested the same as above but with Speed Control increased. It is recommended by Belleco, Inc. that such one sided toasting be done cut-side up to prevent lines on the toasted surface.

**OPERATIONS AND MAINTENANCE PROCEDURES
CONVEYOR TOASTER MODELS
JT2-B**

CLEANING PROCEDURE

Preventive Maintenance programs on your toaster will provide many years of production at full capacity. Lack of Preventive Maintenance can shorten the life cycle of the toaster and/or result in reduced capacities. The following cleaning guidelines should be performed as shown:



WARNING – ALWAYS DISCONNECT YOUR TOASTER FROM POWER **PRIOR TO CLEANING OR MAINTENANCE**



WARNING – **NEVER SPRAY YOUR TOASTER WITH WATER. **NEVER** SUBMERGE INTO WATER.**

- Daily –
- 1) Clean the air intake area under the toaster with a slightly dampened cloth.
 - 2) Wipe the conveyor surface and exterior surfaces.
 - 3) Remove and wash the Crumb Tray and then replace the Crumb Tray.

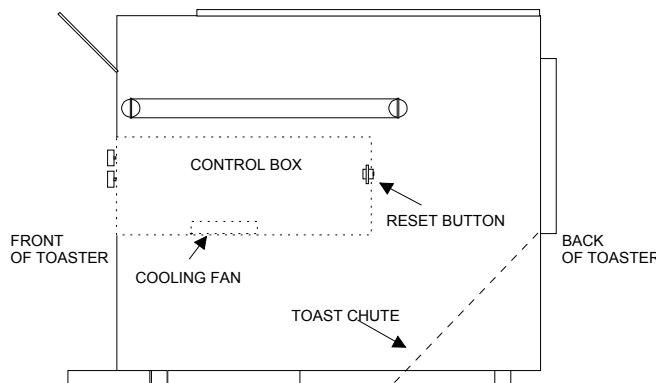
- Weekly –
- 1) Clean the air intake area under the toaster with a slightly dampened cloth.
 - 2) Plug the toaster in and turn the bottom switch to the ON position.
 - 3) Turn the Conveyor Speed Control to fastest setting (100).
 - a. For lightly soiled conveyors belts, wipe with a damp cloth.
 - b. For heavily soiled conveyor belts, wipe with a light abrasive pad.



NEVER OPERATE YOUR TOASTER WITHOUT THE CRUMB TRAY IN PLACE AS THIS MAY CAUSE OVERHEATING IN AND AROUND THE CONTROLS AND MOTORS.

HIGH TEMPERATURE LIMIT

JT2-B Toasters are equipped with a special feature that prevents overheating. This feature is re-settable by pushing the button located at the back of the control housing (opposite panel from the front controls). Reach under the toaster and slide your hand to the rear of the bottom panel and then up to the back of the housing. Feel around to the center of that back panel and you will find the reset button. Push it and re-test your toaster.



IF HEAT AND CONVEYOR DO NOT WORK, ALLOW UNIT TO COOL FOR 30 MINUTES. PRESS THE RESET BUTTON LOCATED AT THE BACK OF THE CONTROL BOX BENEATH THE TOASTER.

BEFORE PRESSING RESET BUTTON, MAKE SURE AIR INTAKE (COOLING FAN) IS CLEAN AND FREE OF DUST AND GREASE BUILD UP.

OPERATIONS AND MAINTENANCE PROCEDURES
CONVEYOR TOASTER MODELS
JT2-B

GENERAL MAINTENANCE

1. REPLACING HEATER TUBES (Tip – replace only one tube at a time to prevent confusion when re-wiring)
 - a. DISCONNECT TOASTER FROM POWER SOURCE.
 - b. Remove both side panels.
 - c. Disconnect heater tube wires from the terminal blocks by depressing the black button with the + sign.
 - d. Drop the heater tube retainer by loosening the screw or nuts and sliding the retainer down so that the holes line up.
 - e. **Gently** pull the tube to be replaced out of the toaster.
 - f. **Gently** slide the replacement tube into the toaster.
 - g. Slide the retainer back up and tighten the screw or nuts.

2. REPLACING FAN MOTOR (Tip – make note of which side the label on the fan motor is prior to removal)
 - a. DISCONNECT TOASTER FROM POWER SOURCE.
 - b. Remove the bottom cover.
 - c. Unplug the fan motor power supply cord.
 - d. Remove the (4) screws (and grill) that hold the fan motor in place.
 - e. Put the replacement fan motor and grill in place. Using the same (4) screws secure in place in the same manner as removed.
 - f. Reconnect the fan motor power cord.
 - g. Replace panels and test under power.

3. REPLACING BELT DRIVE MOTOR (**NOTE**: 208 volt and 240 volt motors have three wires, **ONLY USE TWO**. For 208 volts, use the white and black wires. For 240 volts, use the black and blue wires. Use a high temperature electrical tape to cap the unused wire to prevent short circuit)
 - a. DISCONNECT TOASTER FROM POWER SOURCE.
 - b. Remove side and bottom panels.
 - c. Remove the drive sprocket and chain from the drive motor shaft. (Tip – Loosen the drive motor mounting screws and slide the motor to loosen the chain)
 - d. Trace and remove the two drive motor wires from the terminal block by depressing the black button with the + sign. (Tip – make note of the color of the wires and only use the same colors on the new motor)
 - e. Remove the drive motor mounting screws and slide the motor out of the toaster.
 - f. Put the new drive motor in place and loosely replace the mounting screws.
 - g. Replace the drive sprocket and chain. (Tip - measure the distance from the inside of each sprocket to the inside toaster wall for perfect alignment)
 - h. Slide the drive motor so the chain has between 1/8” and 1/4” play, and then tighten the four mounting screws.
 - i. Replace panels and test under power.

**OPERATIONS AND MAINTENANCE PROCEDURES
CONVEYOR TOASTER MODELS
JT2-B**

TROUBLESHOOTING GUIDE

- 1) **UNIT WILL NOT HEAT, CONVEYOR BELT WILL NOT MOVE.**
 - a. Check to make sure the toaster is PLUGGED IN.
 - b. Push the HIGH TEMPERATURE LIMIT reset button as described on Page 3.
 - c. After pushing the reset button, clean the air intake area to prevent further occurrences.
 - d. Make sure that the Crumb Tray is in place. **Operating the toaster without the Crumb Tray in place may cause overheating in and around the control housing.**
- 2) **UNIT WILL NOT HEAT, CONVEYOR MOVES FREELY.**
 - a. Push the HIGH TEMPERATURE LIMIT reset button as described on Page 3.
 - b. After pushing the reset button, clean the air intake area to prevent further occurrences.
 - c. Make sure that the Crumb Tray is in place. **Operating the toaster without the Crumb Tray in place may cause overheating in and around the control housing.**
- 3) **EITHER TOP OR BOTTOM HEATER TUBES DO NOT HEAT.**
 - a. Call the Belleco, Inc. service group at 1-877-854-8006 as one or more Heater Tubes may need replacing.
- 4) **TESTING FOR AND CLEARING MECHANICAL BINDING**
 - a. Remove side and bottom panels.
 - b. Remove the drive sprocket and chain from the drive motor shaft. (Tip – Loosen the drive motor mounting screws and slide the motor to loosen the chain)
 - c. Slowly rotate the conveyor belt by hand to see where the binding is taking place. Once it is discovered, clear the jam and re-assemble the toaster.
 - d. Test under power. If the conveyor belt will not operate, call the Belleco, Inc. service group at 1-877-854-8006 as either the Drive Motor and/or Speed Control may need replacing.

HEATER TUBE GUIDE

Model #	Voltage	Part#	Wattage	Qty.
JT2-B Top Tubes	208	403004	1400	2 (Metal)
JT2-B Bot. Tubes	208	403002	200	2 (Metal)
JT2-B Top Tubes	208	204220	700	4 (Quartz)
JT2-B Bot. Tubes	208	204011	200	2 (Quartz)
JT2-B Top Tubes	220	204226	700	4 (Quartz)
JT2-B Bot. Tubes	220	204019	200	2 (Quartz)
JT2-B Top Tubes	240	403003	1400	2 (Metal)
JT2-B Bot. Tubes	240	403005	200	2 (Metal)
JT2-B Top Tubes	240	204221	700	4 (Quartz)
JT2-B Bot. Tubes	240	204032	200	2 (Quartz)

**OPERATIONS AND MAINTENANCE PROCEDURES
CONVEYOR TOASTER MODELS
JT2-B**



"If the power cord is damaged, it must be replaced by a special cord or assembly available from the manufacturer or its service agent"

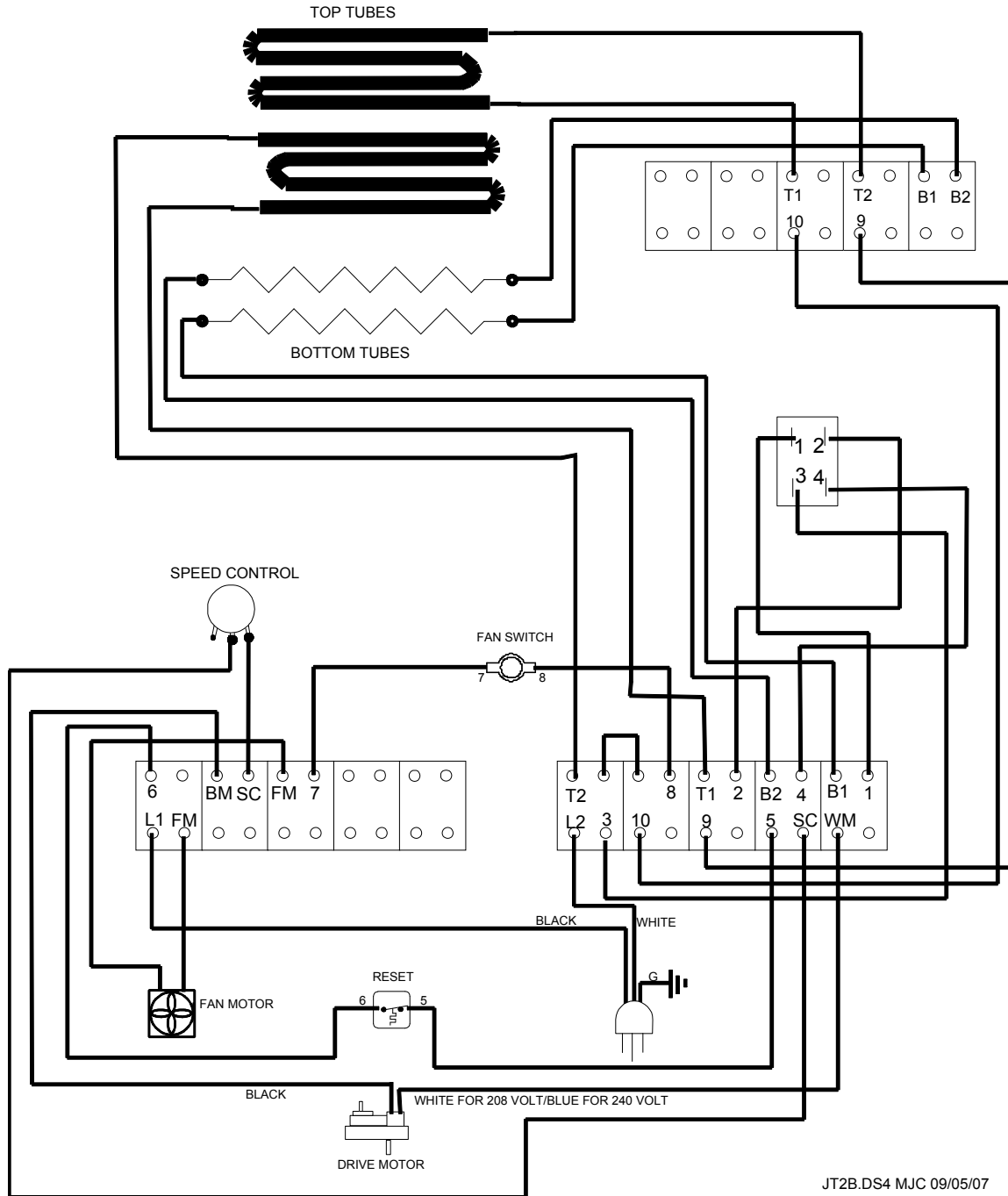
JT2-B SPARE PARTS LISTS (For heater Tubes - see the Heater Tube Guide on Page 5)

DESCRIPTION	QTY	PART#	DESCRIPTION	QTY	PART#
Drive Sprocket	1	401302	Load-Up Rack	1	400381
Drive Motor 208/240V	1	401201	Conveyor Belt	1	201703
Driven Sprocket	1	401300	Drive Shaft	1	401340
Drive Chain, 19"	1	401384	Driven Shaft	1	401341
Knob, Speed Control	1	401187	Reset/Heat Limit Switch	1	401100
Fan Motor 208/240V	1	401211	Grill, Air Intake	1	401220
Fan Motor Cord	1	401060	Speed Control	1	200901
Fan Switch	1	401107	Toast Chute	1	300203
Bushing, Rear	2	201100	Bushing, Front	2	401350
Power Cord 208/240V	1	401051 30 amp	Front Tension Spring	2	400260
Power Cord 208/240V	1	401058 20 amp	Crumb Tray	1	201007
Power Saver	1	401103	Legs	4	400300

**OPERATIONS AND MAINTENANCE PROCEDURES
CONVEYOR TOASTER MODELS
JT2-B**

Models Prior To S/N 0808-671101

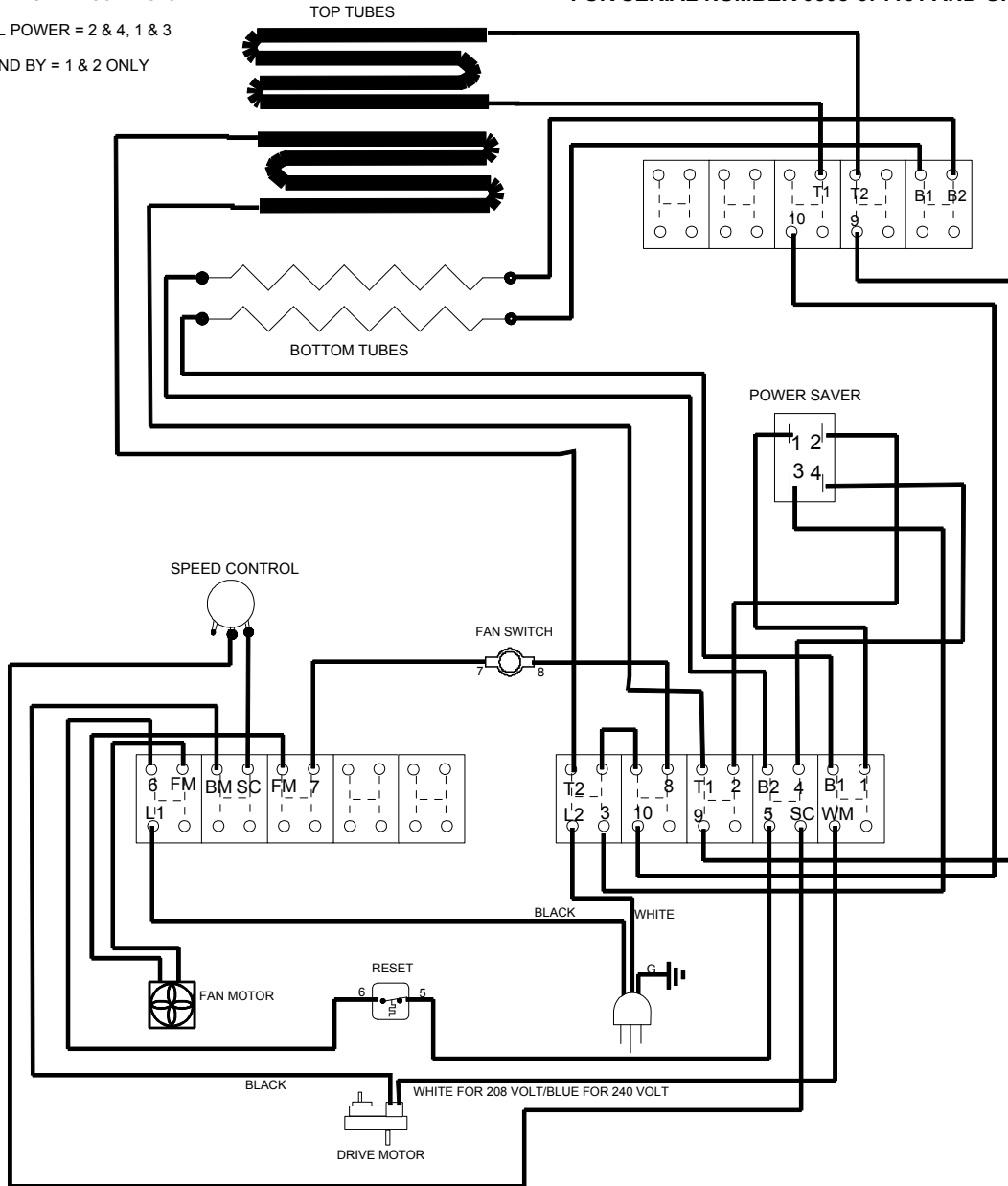
MODEL JT2-B 208, 240 VOLTS AC SINGLE PHASE



**OPERATIONS AND MAINTENANCE PROCEDURES
CONVEYOR TOASTER MODELS
JT2-B**

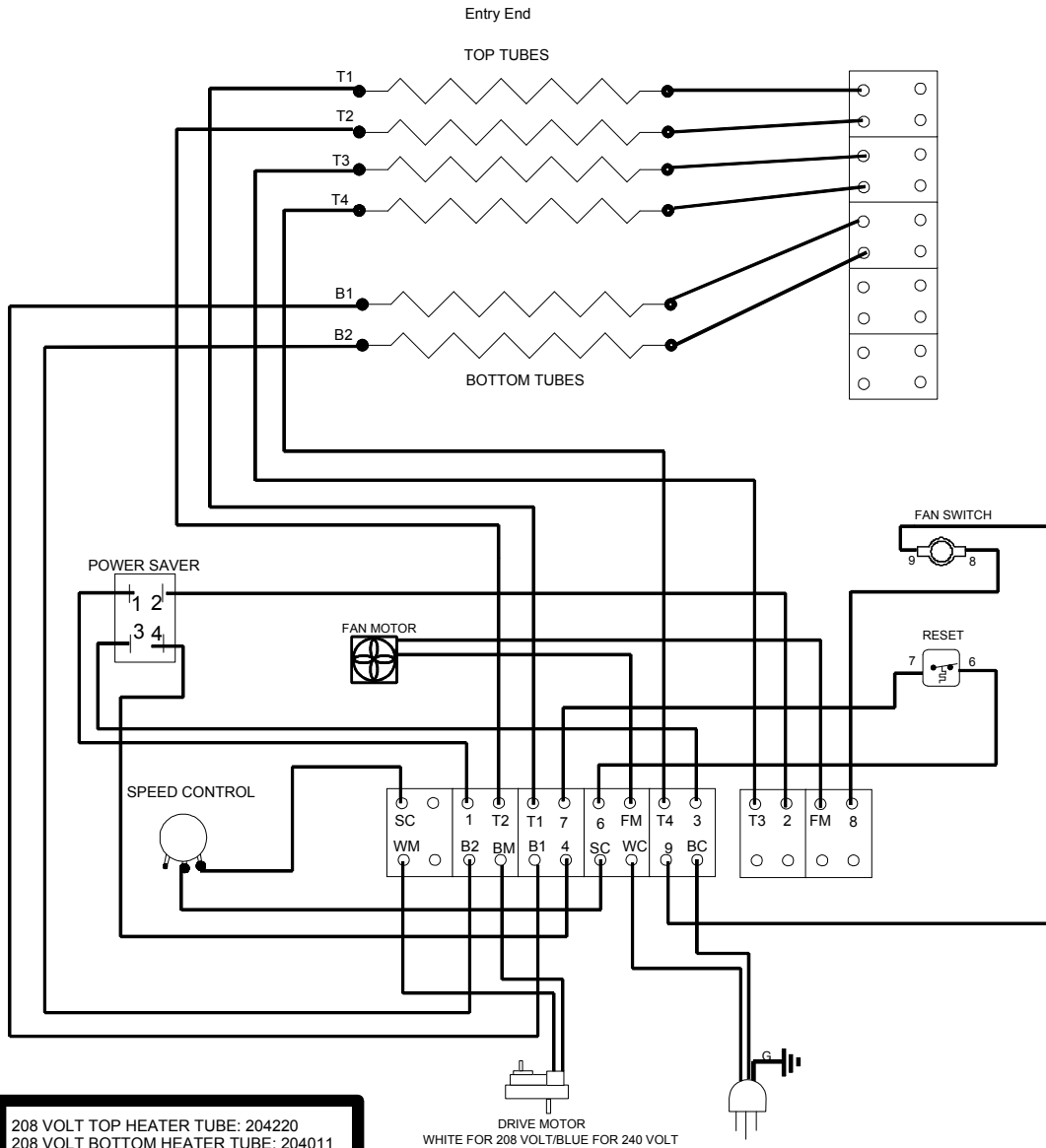
POWER SAVER CONTACTS
FULL POWER = 2 & 4, 1 & 3
STAND BY = 1 & 2 ONLY

FOR SERIAL NUMBER 0808-671101 AND GREATER



BELLECO INC. FOOD EQUIPMENT SPECIALISTS P. O. BOX 880 SACO ME 04072	DRAWN BY: MICHAEL CLAVET	WIRE DIAGRAM JT2-B, METAL TUBES 208, 240 VOLT SINGLE PHASE
	DATE: 08/13/2008, REV.A Effective 08/13/08 BEGINNING S/N 0808-671101	

**OPERATIONS AND MAINTENANCE PROCEDURES
CONVEYOR TOASTER MODELS
JT2-B**



208 VOLT TOP HEATER TUBE: 204220
 208 VOLT BOTTOM HEATER TUBE: 204011
 240 VOLT TOP HEATER TUBE :204221
 240 VOLT BOTTOM HEATER TUBE: 204032

BELLECO INC. FOOD EQUIPMENT SPECIALISTS P. O. BOX 880 SACO ME 04072	DRAWN BY: MICHAEL CLAVET	WIRE DIAGRAM JT2B, 3.2 kW QUARTZ TUBES 208, 240 VOLT SINGLE PHASE
	DATE: 01/14/10	



Foodservice Equipment Specialist
P.O. Box 880 Saco, ME. / U.S.A. 04072
877-854-8006 * FAX (207) 283-8080

ORIGINAL EQUIPMENT WARRANTY

BELLECO, Inc. warrants to the original purchaser, that it's electrically heated cooking equipment shall be free from defects in material and workmanship, subject to the following conditions;

- 1. BELLECO, Inc.'s obligation under this warranty shall be expressly limited to replacing or repairing without charge, any component of the electrically-heated cooking equipment which, in the sole opinion of BELLECO, Inc. is deemed to be defective. This warranty shall be effective for a period of twenty-four (24) months for parts (excluding heater tubes) and twelve (12) months for labor and heater tubes commencing from the date the equipment is INSTALLED BY THE ORIGINAL PURCHASER, WHO SHALL PROVIDE A COPY OF THE SALES INVOICE OR OTHER PROOF OF PURCHASE IF THE WARRANTY PERIOD IS IN QUESTION (or 18 MONTHS FROM ORIGINAL SHIP DATE FROM BELLECO).
2. BELLECO, Inc. agrees to pay any recognized kitchen equipment service agency within the 48 Continental United States and Canada for any FACTORY-AUTHORIZED labor required to repair or replace (does not include general maintenance, cleaning or resetting the thermal overload), at the sole option of BELLECO, Inc., any part of the electrically heated cooking equipment which proves to be defective in either material or workmanship provided, however, that the repairs or replacement have been duly authorized by BELLECO, Inc. before the work is performed. This warranty includes travel time not to exceed one (1) hour and mileage not to exceed fifty (50) miles (80 km). Excluded from the travel and mileage coverage is the JE and JT1 series.
3. This warranty does not apply to repairs or replacement of any component(s) of your unit, which have been damaged or abused due to accident, alterations, unauthorized repairs, misuse or improper maintenance. Belleco will NOT assume ANY responsibility for loss revenue.
4. INSTALLATION TO IMPROPER VOLTAGE WILL VOID ANY AND ALL IMPLIED WARRANTIES.
5. This warranty is expressly in lieu of all warranties and representations expressed or implied, INCLUDING THE IMPLIED WARRANTIES OF MERCHANTABILITY AND FITNESS FOR A PARTICULAR PURPOSE, and all other obligations or liabilities on the part of BELLECO, Inc.
6. This warranty becomes effective upon e mail registration sent to sales@bellecocooking.com

Thank you for your purchase of Belleco, Inc. food service equipment. It shall remain our primary goal to ensure your satisfaction. To assist us in our efforts to maintain accurate records, please complete the attachment and return it to our Corporate Headquarters via e-mail (see #6 above) or US Mail. Be sure to include the following details:

Owners Name: _____ Model Number: _____
Address: _____ Serial Number: _____
Date Purchased: _____
Business Name: _____ Dealer Name: _____
Phone Number: _____ Comments: _____