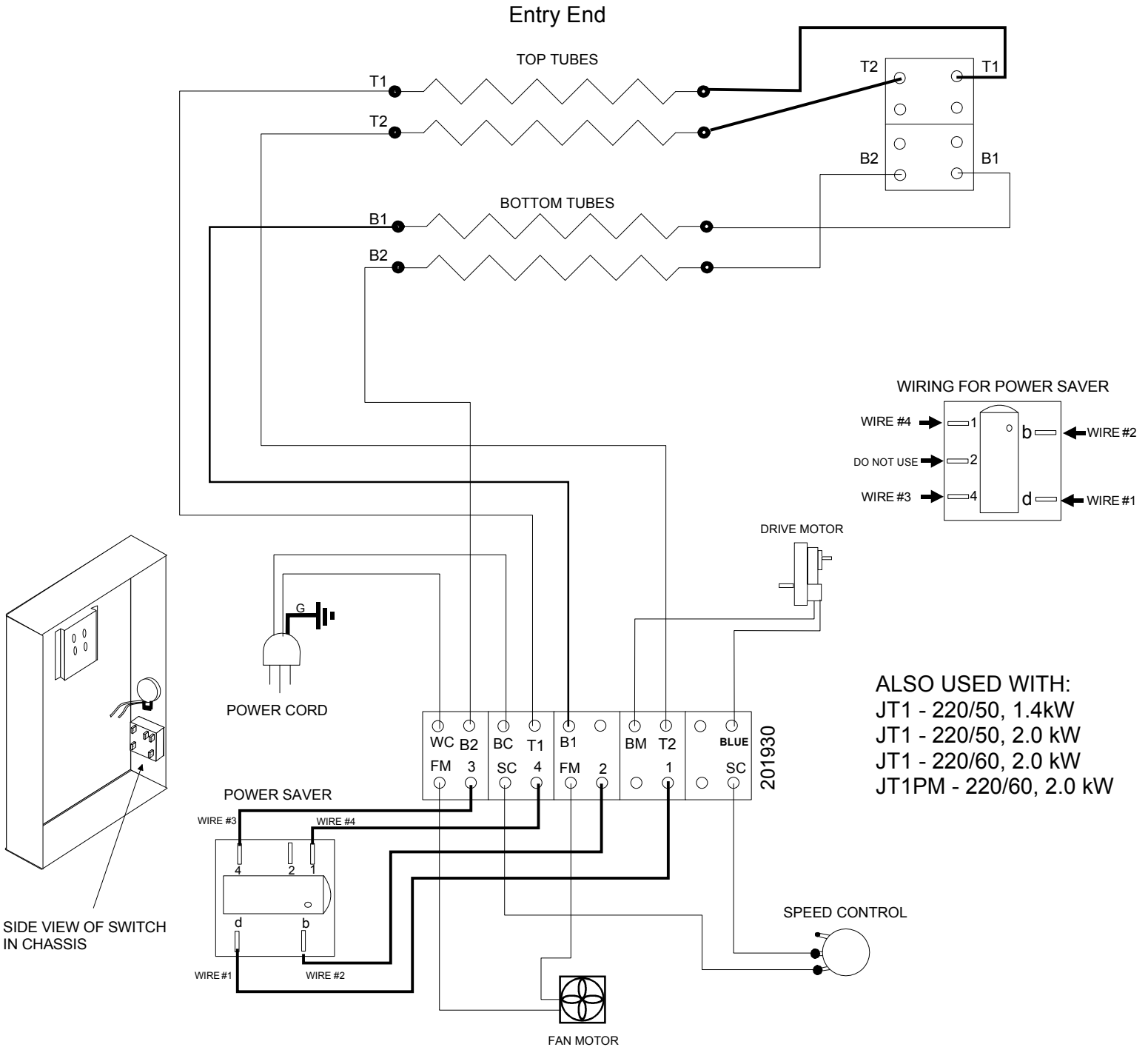


REVISION			
REV	DATE	DESCRIPTION	ECN #
A	8/16/12	Replace Ark-Less Power Saver Switch With E - Switch Power Saver	

WD001-A

*SEE SERIAL NUMBER NOTE AT BOTTOM OF PAGE



USE FOR UNIT WITH S/N 1205-2371101 AND GREATER

BELLECO INC. FOOD EQUIPMENT SPECIALISTS P. O. BOX 880 SACO ME 04072	DRAWN BY: MICHAEL CLAVET	WIRE DIAGRAM WD 001-A JT1, 1.6 kW 120 VOLT SINGLE PHASE
	DATE: 05/29/2012	