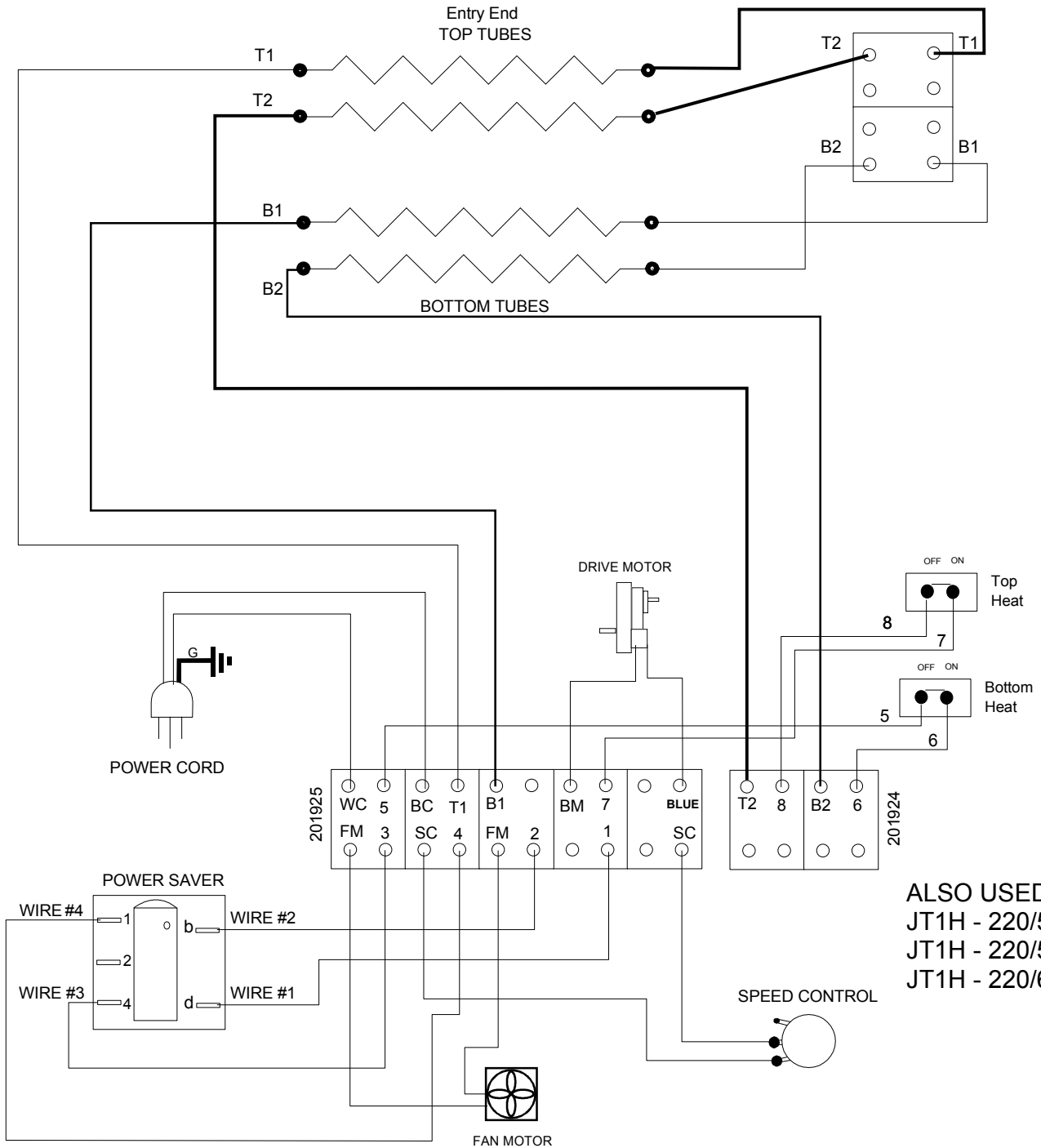


REVISION			
REV	DATE	DESCRIPTION	ECN #
A	09/10/12	Replace Ark-Less Power Saver Switch With E - Switch Power Saver	

WD002-A

*SEE SERIAL NUMBER NOTE AT BOTTOM OF PAGE



ALSO USED WITH:
 JT1H - 220/50, CE
 JT1H - 220/50, 2.0 kW
 JT1H - 220/60, 2.0 kW

USE FOR UNIT WITH S/N 1205-2371101 AND GREATER

BELLECO INC. FOOD EQUIPMENT SPECIALISTS P. O. BOX 880 SACO ME 04072	DRAWN BY: MICHAEL CLAVET	WIRE DIAGRAM WD 002-A JT1H, 1.6 kW 120 VOLT SINGLE PHASE
	DATE: 09/10/2012	