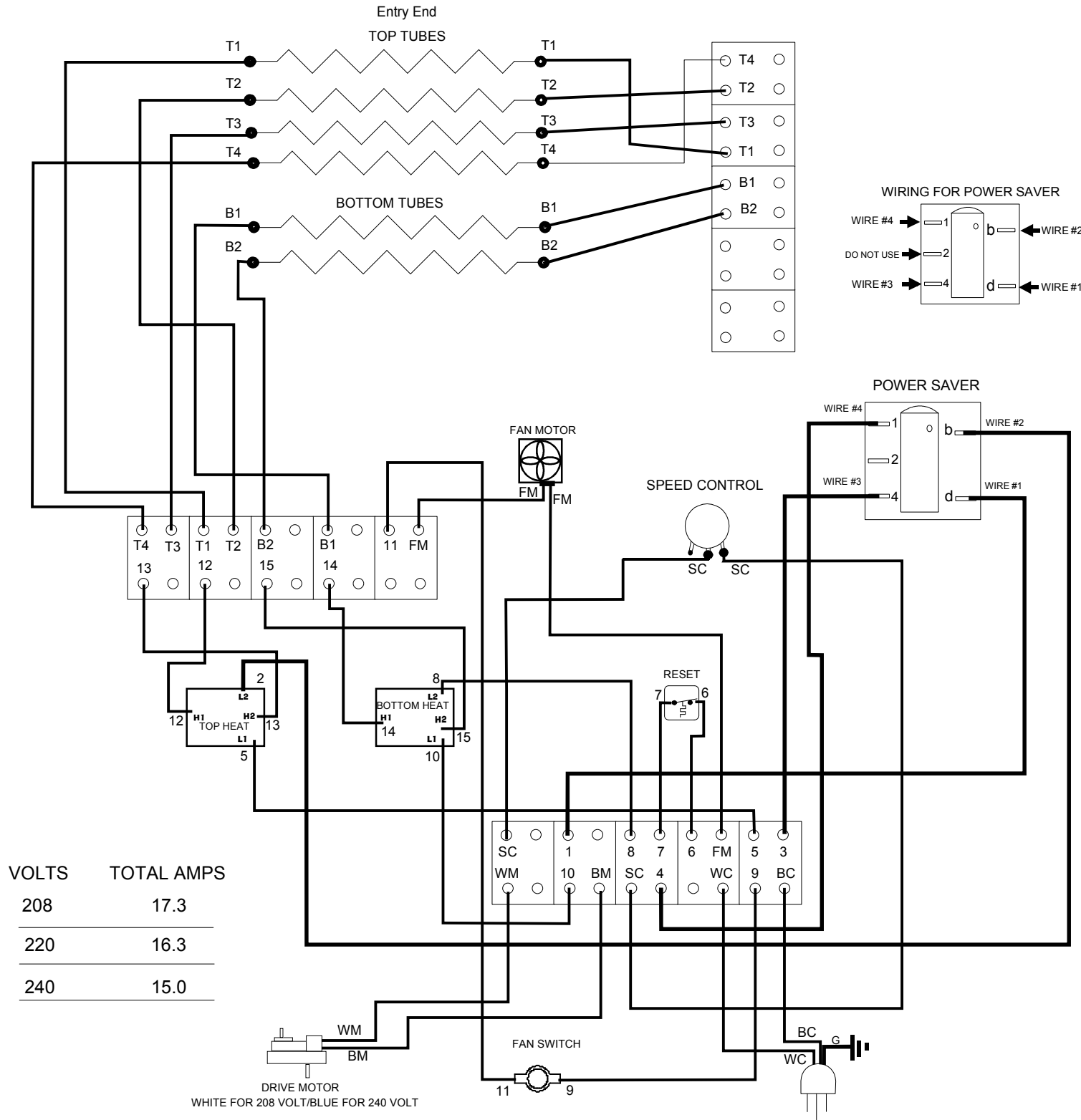


REVISION			
REV	DATE	DESCRIPTION	ECN #
A	09/10/12	Replace Ark-Less Power Saver Switch With E - Switch Power Saver	

WD015-A



BELLECO INC. FOOD EQUIPMENT SPECIALISTS P. O. BOX 880 SACO ME 04072	DRAWN BY: MICHAEL CLAVET	WIRE DIAGRAM WD015-A JB3H, JT3HBP, JT3HCS 208, 220, 240 VOLT SINGLE PHASE
	DATE: 05/23/2012	