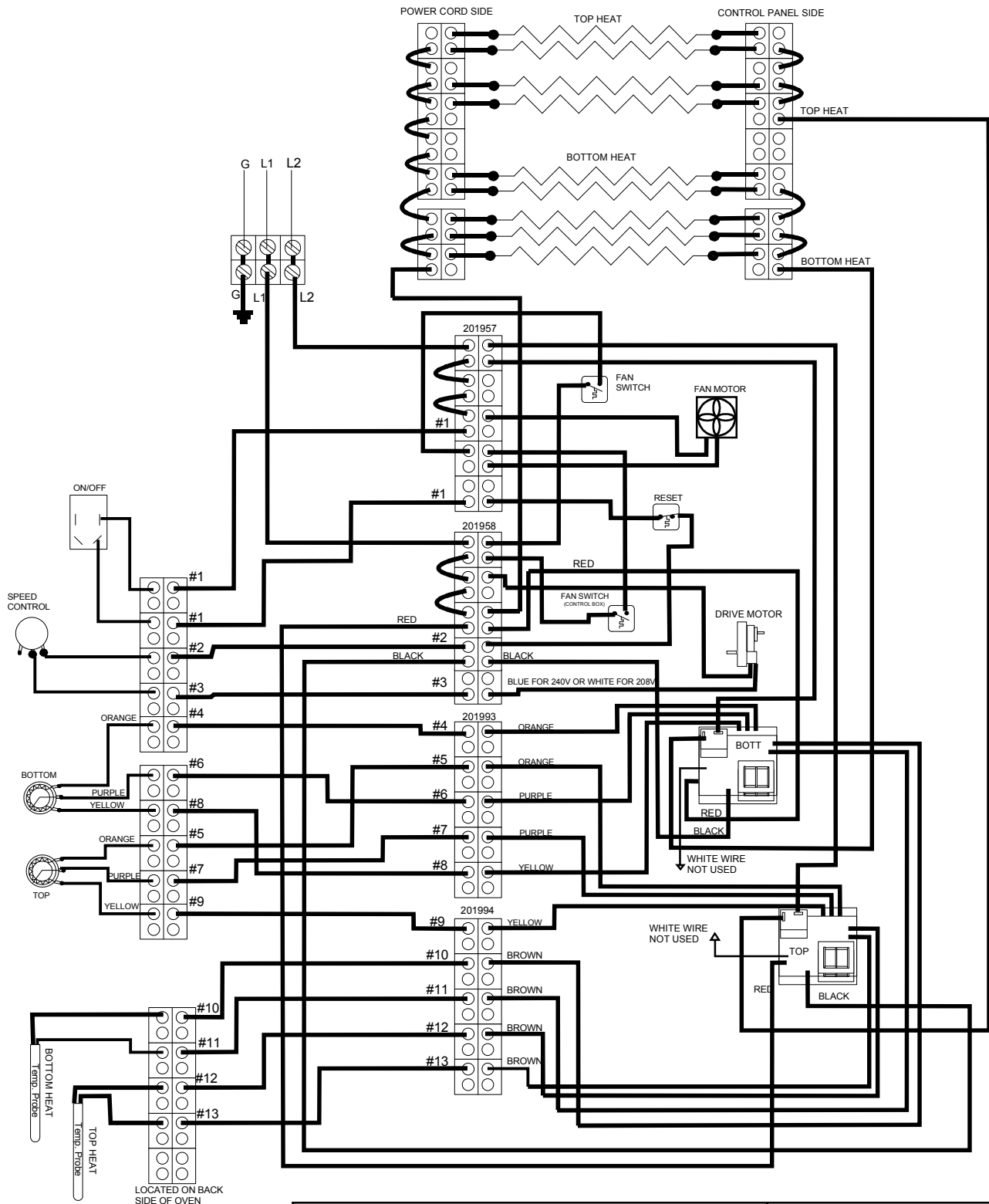


REVISION			
REV	DATE	DESCRIPTION	ECN #

# WD020



BELLECO INC. FOOD EQUIPMENT SPECIALISTS P. O. BOX 880 SACO ME 04072	DRAWN BY: MICHAEL CLAVET	<b>WIRE DIAGRAM</b> <b>JPO 18, 9 QUARTZ TUBES</b> <b>208, 220, 240 VOLT</b> <b>SINGLE PHASE</b>
	DATE: 12/17/10	