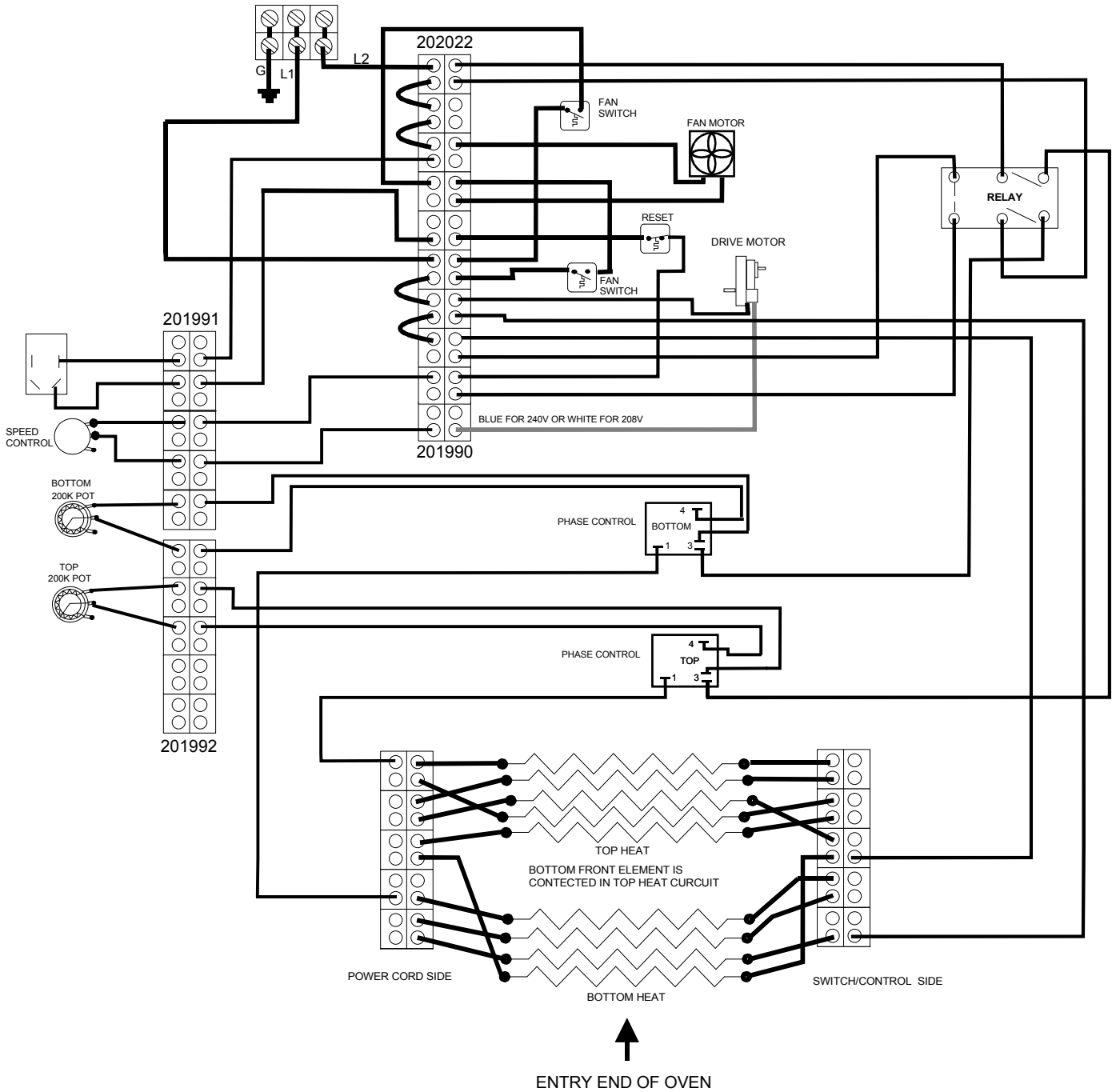


REVISION			
REV	DATE	DESCRIPTION	ECN #

WD022



JSO-14 WITH PHASE CONTROLS

BELLECO INC. FOOD EQUIPMENT SPECIALISTS P. O. BOX 880 SACO ME 04072	DRAWN BY: MICHAEL CLAVET	WIRE DIAGRAM JSO 14, QUARTZ TUBES AND PHASE CONTROLS SINGLE PHASE 208, 220, 240 VOLT
	DATE: 09/10/10	