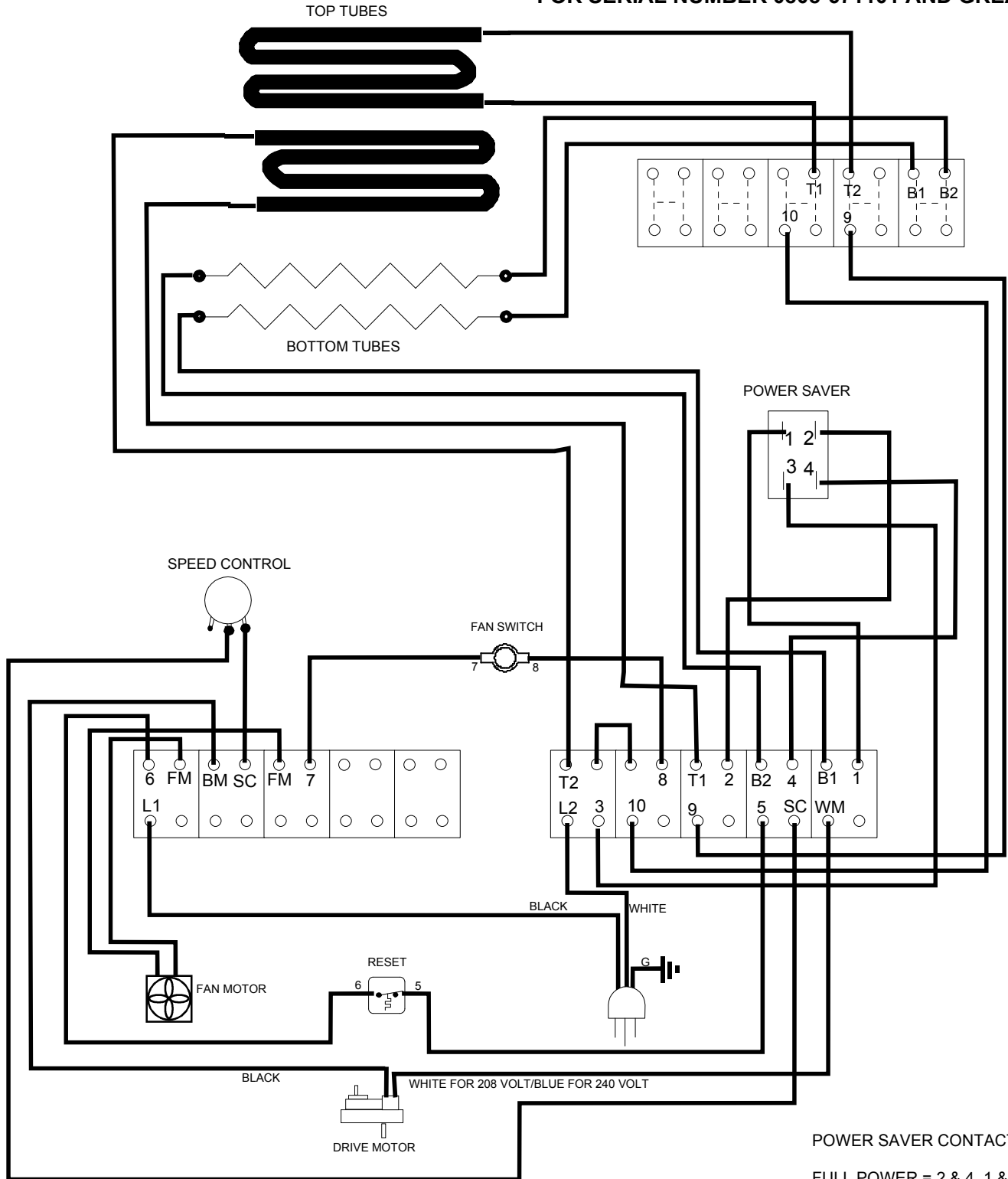


REVISION			
REV	DATE	DESCRIPTION	ECN #

WD025

FOR SERIAL NUMBER 0808-671101 AND GREATER



POWER SAVER CONTACTS

FULL POWER = 2 & 4, 1 & 3

STAND BY = 1 & 2 ONLY

BELLECO INC. FOOD EQUIPMENT SPECIALISTS P. O. BOX 880 SACO ME 04072	DRAWN BY: MICHAEL CLAVET	WIRE DIAGRAM JT2-B, METAL TUBES 208, 240 VOLT SINGLE PHASE
	DATE: 08/13/2008, REV.A Effective 08/13/08 BEGINNING S/N 0808-671101	