

REVISION			
REV	DATE	DESCRIPTION	ECN #
A	09/10/12	Replace Ark-Less Power Saver Switch With E - Switch Power Saver	

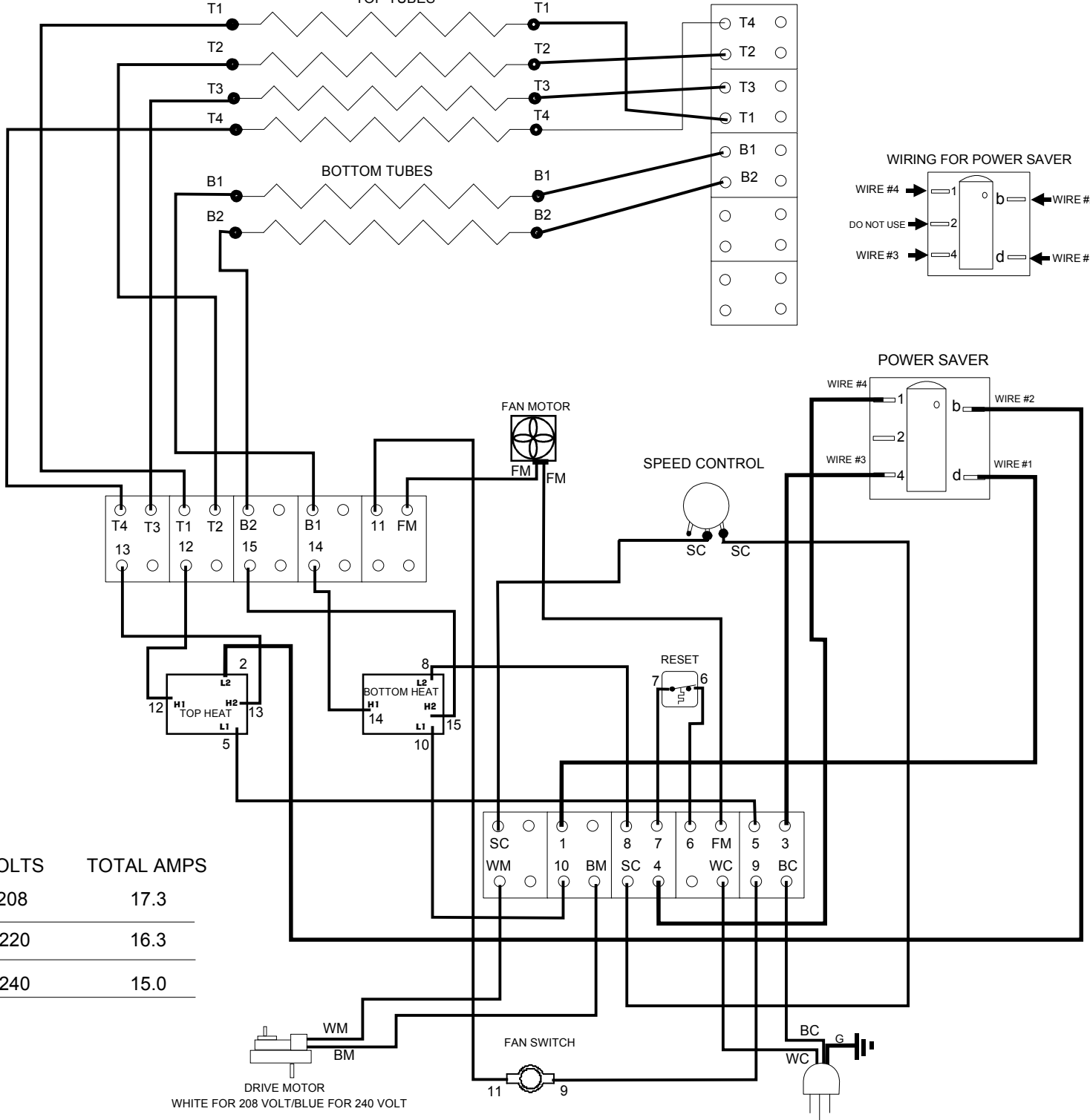
# TRIPLE O's

# WD035-A

TOP ELEMENTS ARE TO BE INSTALLED INTO LOWER SET OF HOLES

Entry End  
TOP TUBES

BOTTOM TUBES



VOLTS	TOTAL AMPS
208	17.3
220	16.3
240	15.0

BELLECO INC. FOOD EQUIPMENT SPECIALISTS P. O. BOX 880 SACO ME 04072	DRAWN BY: MICHAEL CLAVET	<b>WIRE DIAGRAM WD035-A</b> <b>TRIPLE O's JT3HBP</b> <b>208, 220, 240 VOLT</b> <b>SINGLE PHASE</b>
	DATE: 03/28/13	