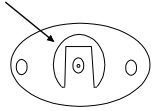


# WD-048

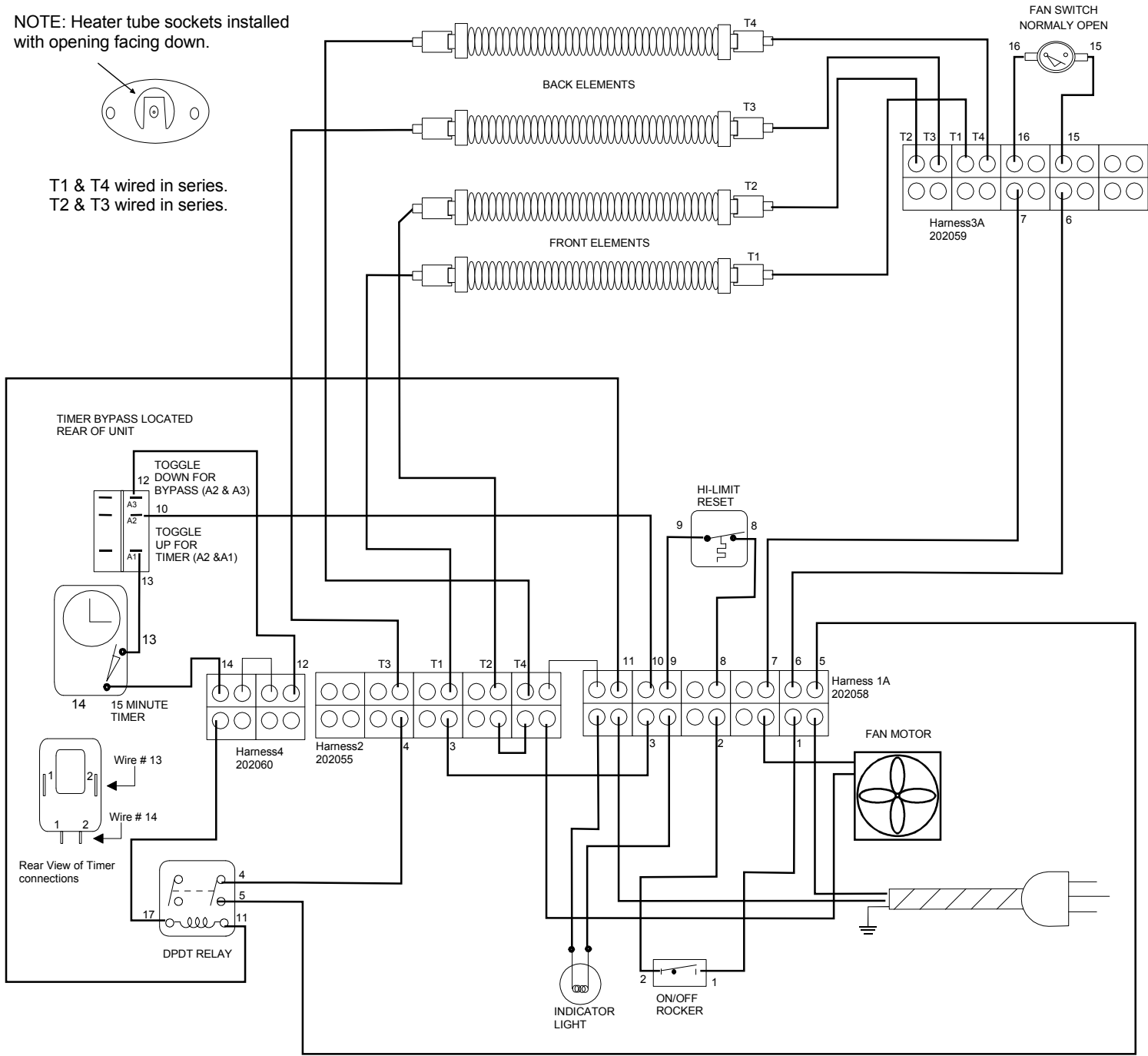
REVISION			
REV	DATE	DESCRIPTION	APPROVED

HEATER TUBE, 208V - 204252, 900W  
 HEATER TUBE, 240V - 204253, 900W  
 3.6 kW - SOCKET ENDS NO WIRE LEADS.

NOTE: Heater tube sockets installed with opening facing down.



T1 & T4 wired in series.  
 T2 & T3 wired in series.



BELLECO INC. FOOD EQUIPMENT SPECIALISTS P. O. BOX 880 SACO ME 04072	DRAWN BY: MICHAEL CLAVET	<b>WIRE DIAGRAM</b> <b>JW 30 CHEESE MELTER</b> <b>15 MINUTE TIMER</b> <b>WITH BY PASS</b> <b>SINGLE PHASE 208, 220, 240 VOLT</b>
	DATE: 01/02/2014	