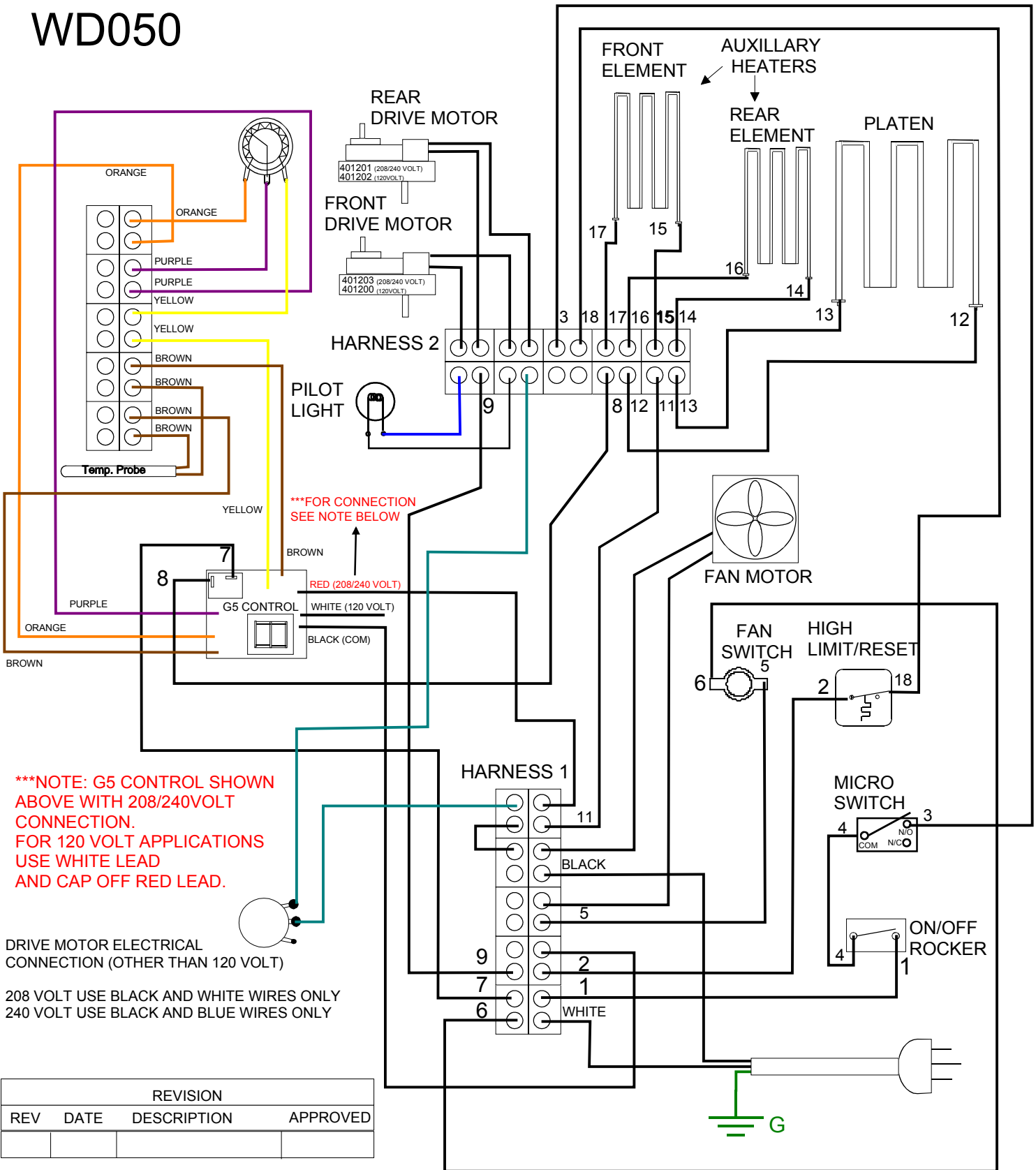


WD050



***NOTE: G5 CONTROL SHOWN ABOVE WITH 208/240VOLT CONNECTION. FOR 120 VOLT APPLICATIONS USE WHITE LEAD AND CAP OFF RED LEAD.

DRIVE MOTOR ELECTRICAL CONNECTION (OTHER THAN 120 VOLT)

208 VOLT USE BLACK AND WHITE WIRES ONLY
240 VOLT USE BLACK AND BLUE WIRES ONLY

REVISION			
REV	DATE	DESCRIPTION	APPROVED

BELLECO INC.
FOOD EQUIPMENT SPECIALISTS
P. O. BOX 880
SACO ME 04072

DRAWN BY: MICHAEL CLAVET

DATE: 11/14/2013

HEATER TUBE WIRE DIAGRAM
CBT-15 CONTACT TOASTER
120, 208, 240 VOLT
SINGLE PHASE