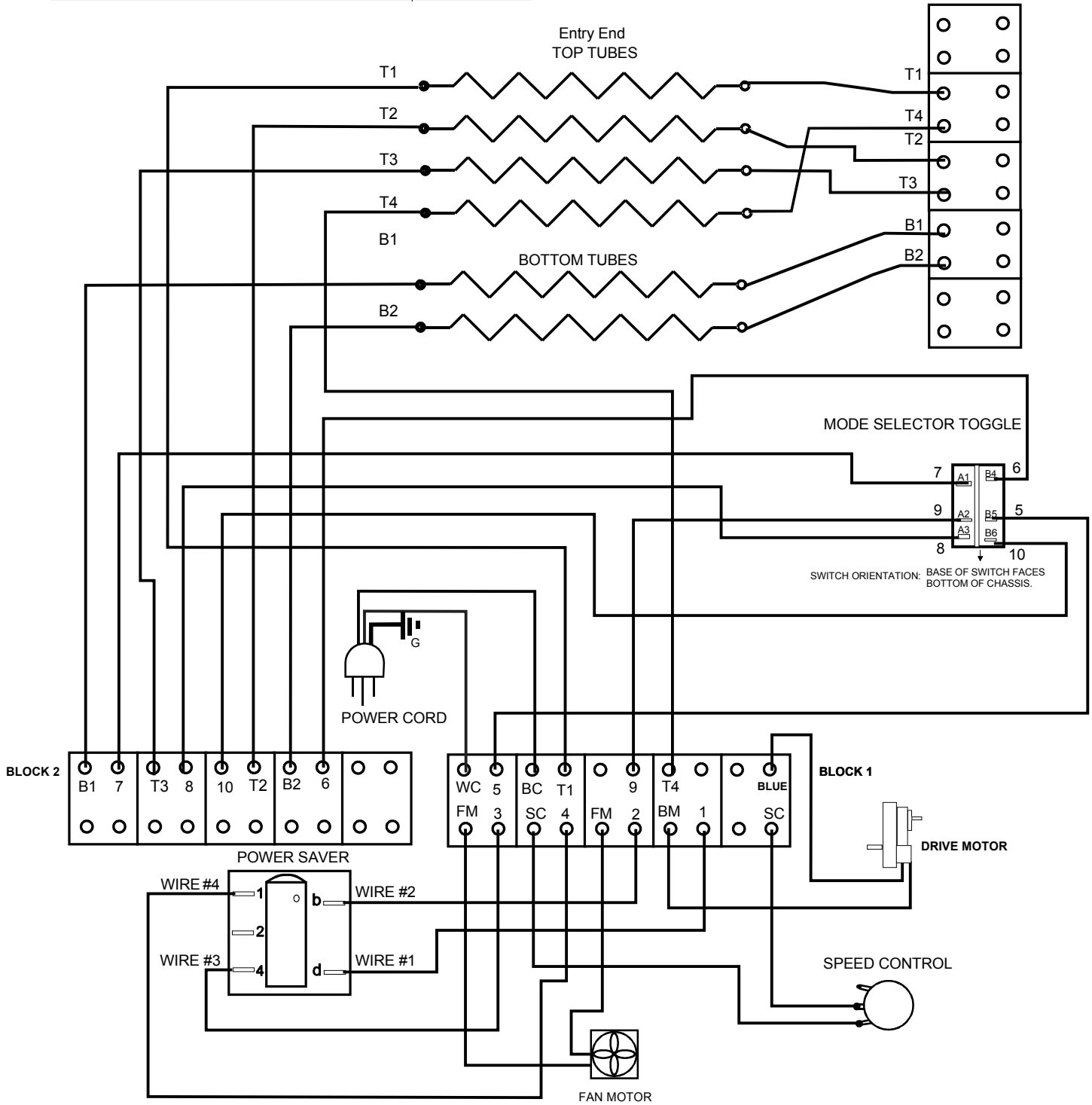


REVISION			
REV	DATE	DESCRIPTION	ECN #

# WD052



BELLECO INC. FOOD EQUIPMENT SPECIALISTS P. O. BOX 880 SACO ME 04072	DRAWN BY: MICHAEL CLAVET	WIRE DIAGRAM WD 052 JT1B, 1.6 kW / MODE SWITCH 120 VOLT SINGLE PHASE
	DATE: 10/06/2014	